



Powering Business Worldwide



Installation Instructions for Mariner Light Bollard (#70-8641)

DANGER



Hazardous voltage. Can cause severe injury or death.

Turn off main power before opening panel.

WARNING

Eaton Electrical Inc. strongly recommends that these products be installed by a qualified electrician.

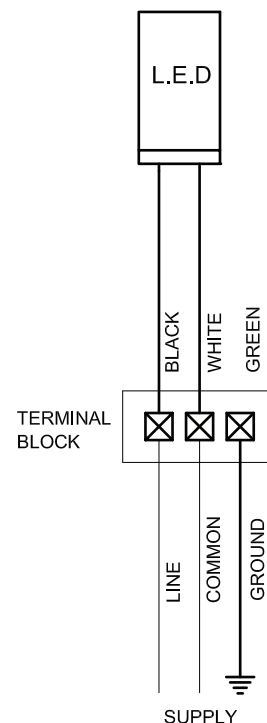
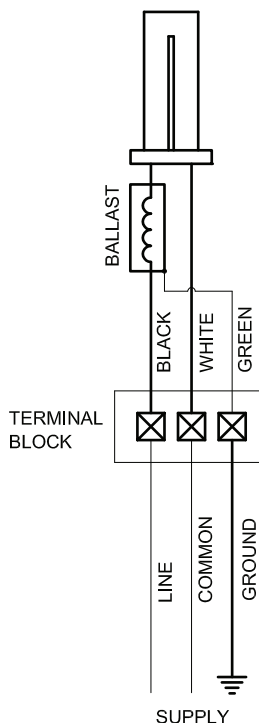
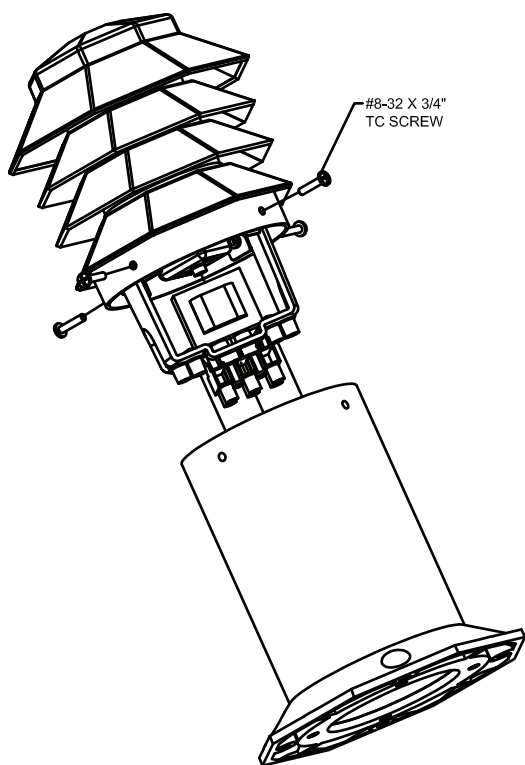
IMPORTANT - INSTALL EQUIPMENT IN CONFORMANCE WITH CODES

This product must be installed in accordance with the National Electric Code (NEC) or the Canadian Electrical Code (CECO) and any applicable local codes. Before installing equipment, check with your local electrical inspector for requirements and information. If you have questions or need assistance, contact a qualified electrician.

WARNING

Turn off or disconnect the power supplying this equipment before beginning work.

This may require that you contact your electric utility to disconnect power to an existing load-center. The line side of the main breaker is energized unless power is disconnected upstream. Eaton Electrical, Inc. will not assume responsibility for property damage or personal injury resulting from misuse of the information in this publication.



Installation

! Note

Read instructions before installation.

This product must be installed in accordance with the applicable installation code by a person familiar with the construction and operation of the product and hazards involved.

1 Turn OFF Power

Warning, turn off power before working inside bollard light or replacing fluorescent bulb.

2 Attach Mounting Plate

Attach mounting plate to deck or dock in desired location using 1/4" hex or carriage bolts.

3 Pull Wires

Pull incoming feeder wires through mounting plate and upright tube.

4 Connect Wires

Connect wires to terminal block located beneath ballast strap as shown.

Connect black (+) supply wire to terminal block opening as marked.

Connect white (-) supply wire to terminal block as marked.

Connect ground wire to terminal block ground, as marked.

5 Affix Light Head Assembly

Position bollard light head assembly over upright tube as shown.

Fasten light assembly to tube using four #8-32 x 3/4 machine screws provided.

Re-Lamping

! Caution

Be sure fixture temperature is cool enough to touch.

Prior to installation check that the lamp is of proper wattage and type.

1 Remove Top

Unscrew two #6-32 x 1/2 Phillips head screws affixing top to light fixture.

2 Unplug Bulb

Unplug fluorescent bulb from socket.

3 Replace Bulb

Reinstall new bulb.

Use PL-S type compact fluorescent lamps.

4 Re-Attach Top

Re-attach top to light fixture using #6-32 screws from Step 1.

Maintenance

Eaton - Marina Power and Lighting produces units that are designed to withstand the harsh marine environment. Very little maintenance is required to keep the units looking new for many years and to keep the warranty effective.

1 Exterior Maintenance

To remove of dirt, grime, and bird droppings, use a mild solution of dishwashing detergent at approximately one teaspoon per gallon of warm water. Once clean, follow up with a water based insect spray to kill the spiders around the base and main housing of the unit.

DO NOT use a petroleum based insect spray.

DO NOT use any solvent or corrosion inhibiting products on any part of the unit. This can cause serious stress cracking of the engineered resins and will void warranty.

! Note

DO NOT use any solvent or corrosion inhibiting products on any part of the unit. This can cause serious stress cracking of the engineered resins.

Parts

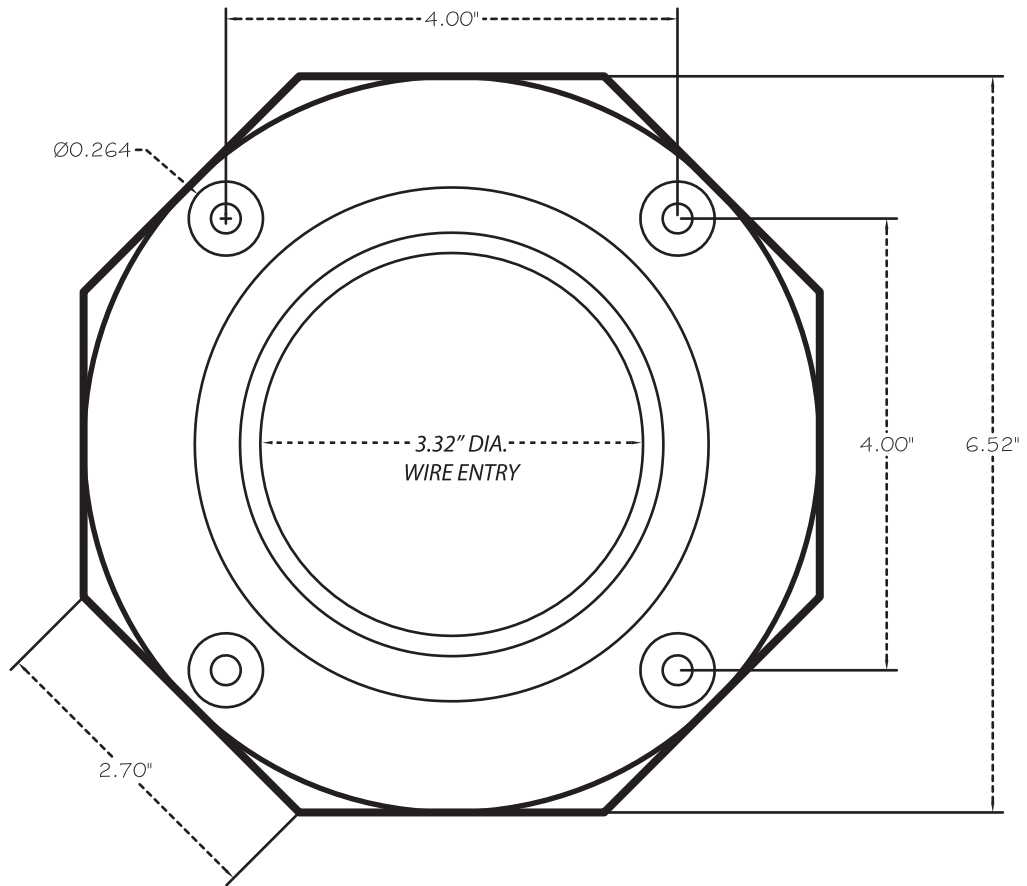
Save 10% When You Buy Parts and Pedestals Online!

Please visit www.marinapower.com for a full parts listing.

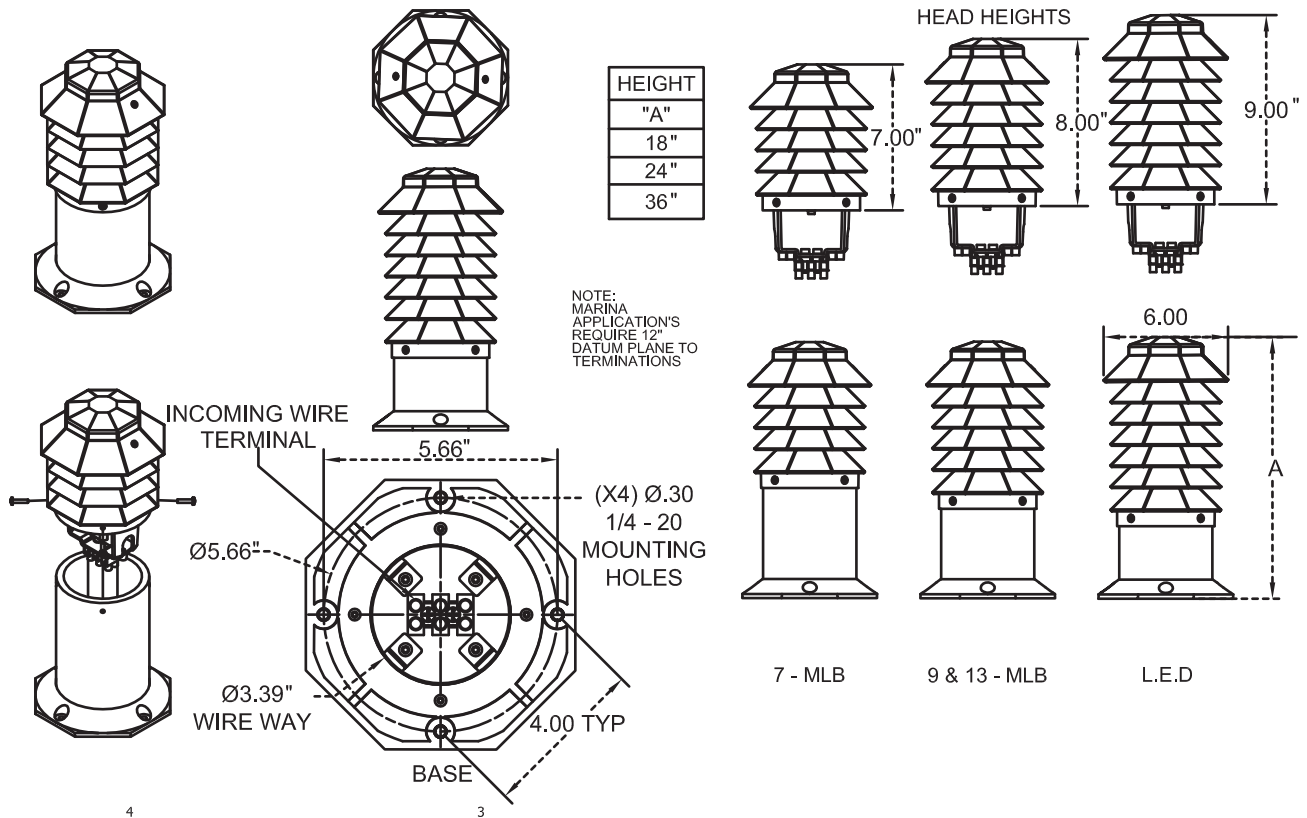
To request a parts handbook:

- Call 1-800-723-8009 or
- E-mail marinaparts@eaton.com

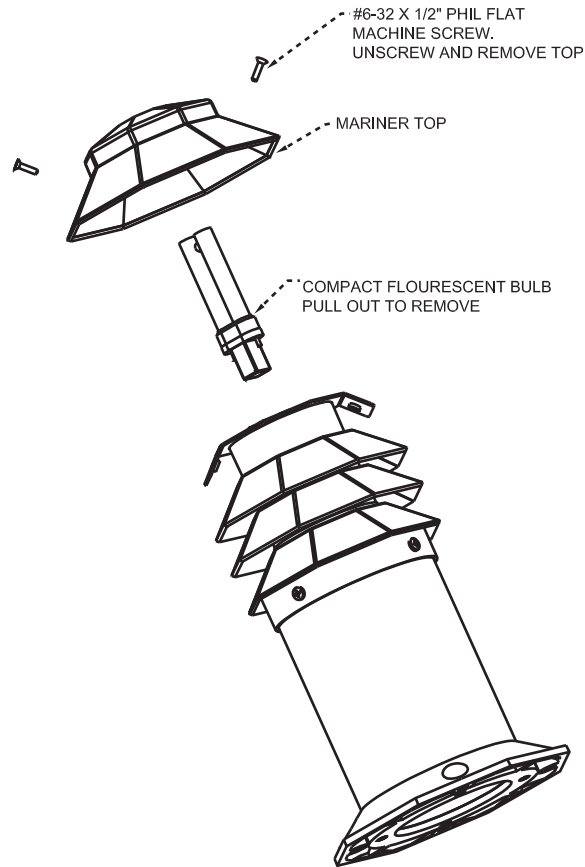
Base Diagram



Dimensions



Re-Lamping Diagram



Eaton Marina Power & Lighting Warranty Information

Our Quality Pledge

As Eaton Corporation approaches its 100th year anniversary, we are proud to say that our quality and ethics remain as critical to the business today as in they did in the company's first years. Eaton is dedicated to developing and manufacturing the highest quality products while keeping true to our corporate ethics. Our warranty is one way that we strive to be the most admired company in our markets.

Product Warranties

Non-Metallic Pedestal Housings Limited Lifetime Warranty*

With our engineered resin housings, our non-metallic pedestals withstand the harshest environments and are backed with a Limited Lifetime warranty to be free from failure due to defects in workmanship and material under normal use and service for the lifetime of the Product.

Stainless Steel Pedestal Housings Limited Lifetime Warranty*

We design and manufacture stainless steel pedestals to any specification and build them in our state-of-the-art facility from start to finish. Our metallic pedestals withstand the harshest commercial environments and are warranted to be free from failure due to defects in workmanship and material under normal use and service for the lifetime of the Product.

Electrical Components 1 Year Limited Warranty

All electrical components, including breakers, receptacles, and internal wiring devices are covered by Eaton's standard 25-000 electrical component warranty of 12 months from installation or up to 18 months from purchase.

Electronic Metering & LED Lighting 3 Year Limited Warranty

We engineer and manufacture a line of electronic meters and LED lighting products. These products are warranted to be free from failure due to defects in workmanship and material under normal use and service for three years from the date of purchase.

Installation and Maintenance Procedures

We ask our customer to review and follow the proper installation and maintenance procedures supplied with all of our products. With our dedication to quality and your dedication to proper upkeep, our products will provide you with the dependability and longevity that your business demands. See Operation and Installation Manuals for proper installation, maintenance, and use; failure to comply may cause product warranties to be void.

To obtain warranty service, discuss extended warranties or for questions contact us at www.marinapower.com or call us at 800-258-8800

* This Marina Power & Lighting product series warranty summary is intended to only supplement the "Warranty" provision of Seller's Selling Policy 25-000. All other terms and conditions contained in the Selling Policy 25-000 remain in full force and effect.

* The minimum expected life of our

pedestal products is 60 months from installation or automatic warranty registration.

* Maintenance procedures include the requirement to periodically wash all pedestals with mild soap and water touching up paint when necessary.

Eaton Corporation
Marina Power and Lighting
149 Warwick Court
Williamsburg, VA 23185
United States
tel: 1-800-723-8009
fax: 757-258-8805
www.marinapower.com