

TideSlide Mounting Guidelines

Note: Optimum Time for installation is a mean low tide, especially for longer TideSlide units.

Most TideSlides are shipped with 1/2" x 6" stainless steel lag bolts. If thru bolts are ordered, they measure 1/2" x 18" stainless steel. It is recommended to use one thru bolt for the top and bottom of the TideSlide unit in pilings that are questionable, weak or in highly exposed areas or for larger TideSlide units.

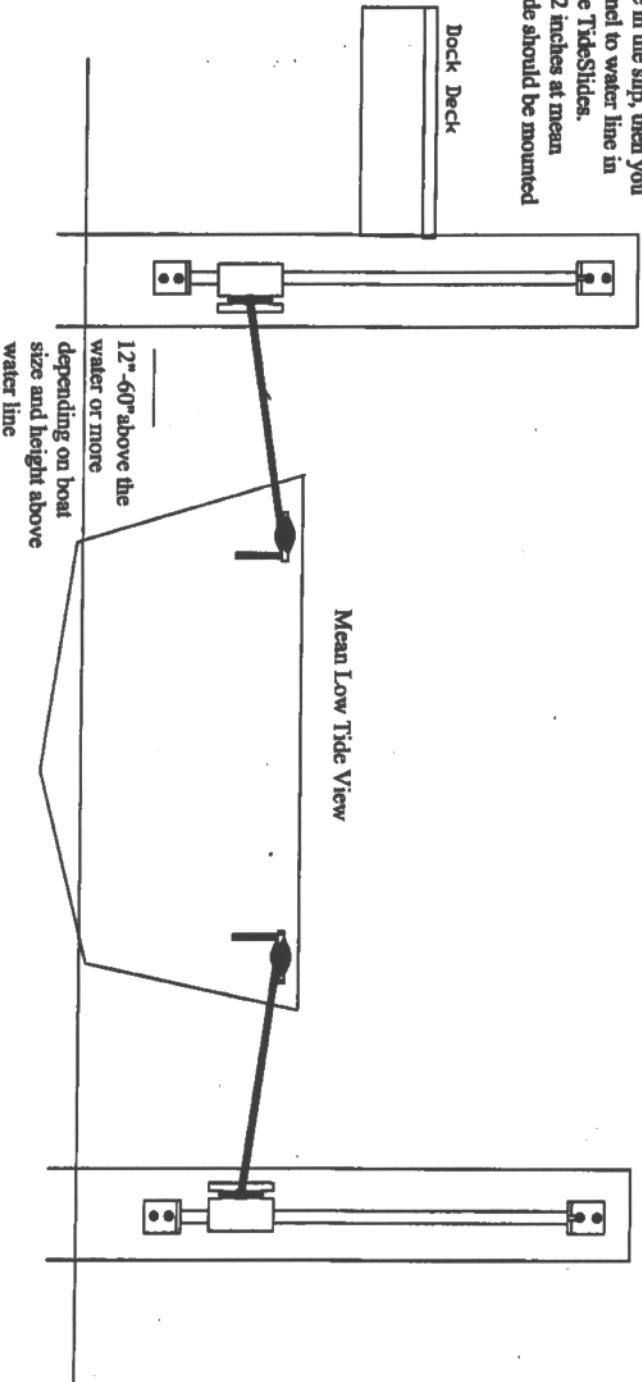
- 1) TideSlides should be mounted in direct relation to the gunnel or cleat line of the boat or vessel.
- 2) TideSlides should never be mounted in the mooring platform or where accidental contact with the boat could occur.
- 3) TideSlides are designed to mount on the pilings, dock poles or seawall, parallel with the boat.

A) At MEAN LOW TIDE, the bottom bracket of the TideSlide should be mounted 6-12 inches below the cleat line or gunnel of the boat. This means that for most boats, the TideSlide is at least 12 to 36 inches ABOVE the water line at LOW tide.

If installing TideSlides and the boat is not available in the ship, then you must know the measurement from cleat line or gunnel to water line in order to know how where on the piling to mount the TideSlides. (Distance from cleat line to water line minus 6 to 12 inches at mean low tide is where the bottom bracket of the TideSlide should be mounted on the piling.)

B) Position the TideSlide on the SIDE of the piling, parallel with the boat. TideSlides are designed to be located out of the way.

Some docking applications warrant positioning the TideSlide on a slight angle in towards the ship, but be sure not to extend into the ship, so the boat does not hit the TideSlide.



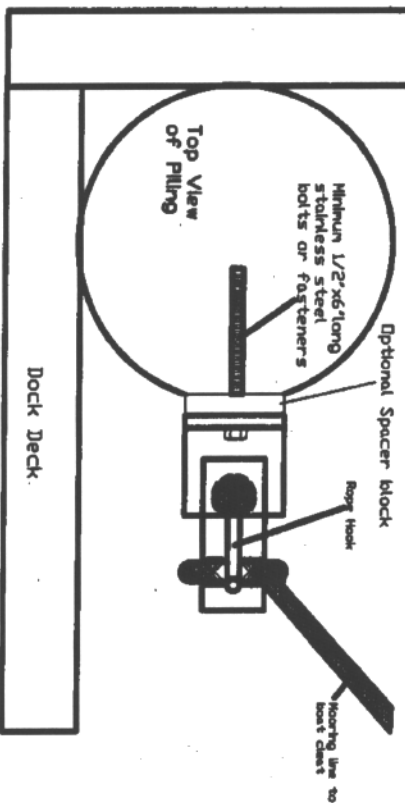
C) If your dock is impeded by cross braces or brackets, TideSlides can use spacer blocks to step them out away from the piling at the Top and Bottom of the TideSlide brackets. This provides more room between the TideSlide and piling for clearance of objects. Spacers are free of charge if needed except for shipping, simply call 1(800)780-6094 to request spacers.

All TideSlides are shipped with mounting bolts.

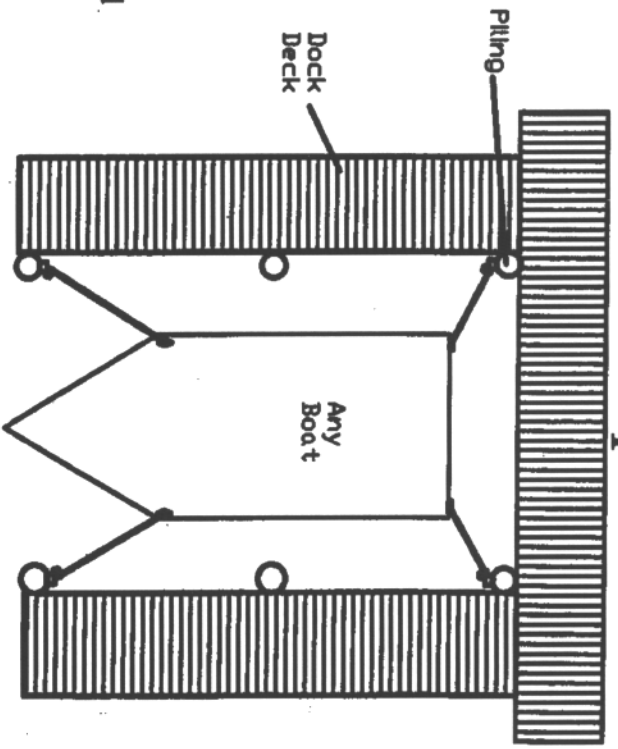
All TideSlides are shipped with 1/2"x 6" stainless steel lag bolts unless otherwise requested. Thru bolts are available upon request and recommended on highly exposed areas and/or weak pilings.

Top View-Piling Attachment

TideSlide should be parallel to the boat, but can be rotated on the piling towards the boat slightly if necessary.



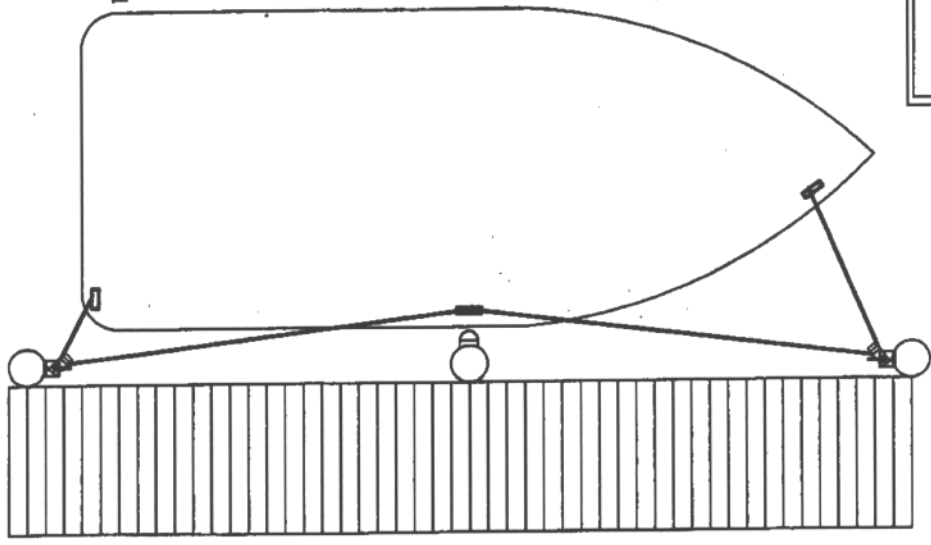
Standard Slip Overview



The boat no longer needs to be centered in the slip. Position the boat where it is most convenient for boarding and tie the lines tight. Position of the boat is easily changed by shortening or lengthening the lines from side to side or front to back. Shown above is a typical 4 point tie up, because you use tight lines your application will change according to existing piling position and line lengths. Remember, tight lines allow you to dictate boat position in the slip.

Please Note:
 It is recommended that when using multiple tie points to use multiple lines. **DO NOT** use one line to tie to more than one point.

Typical One Side Tie Up using TideSlides



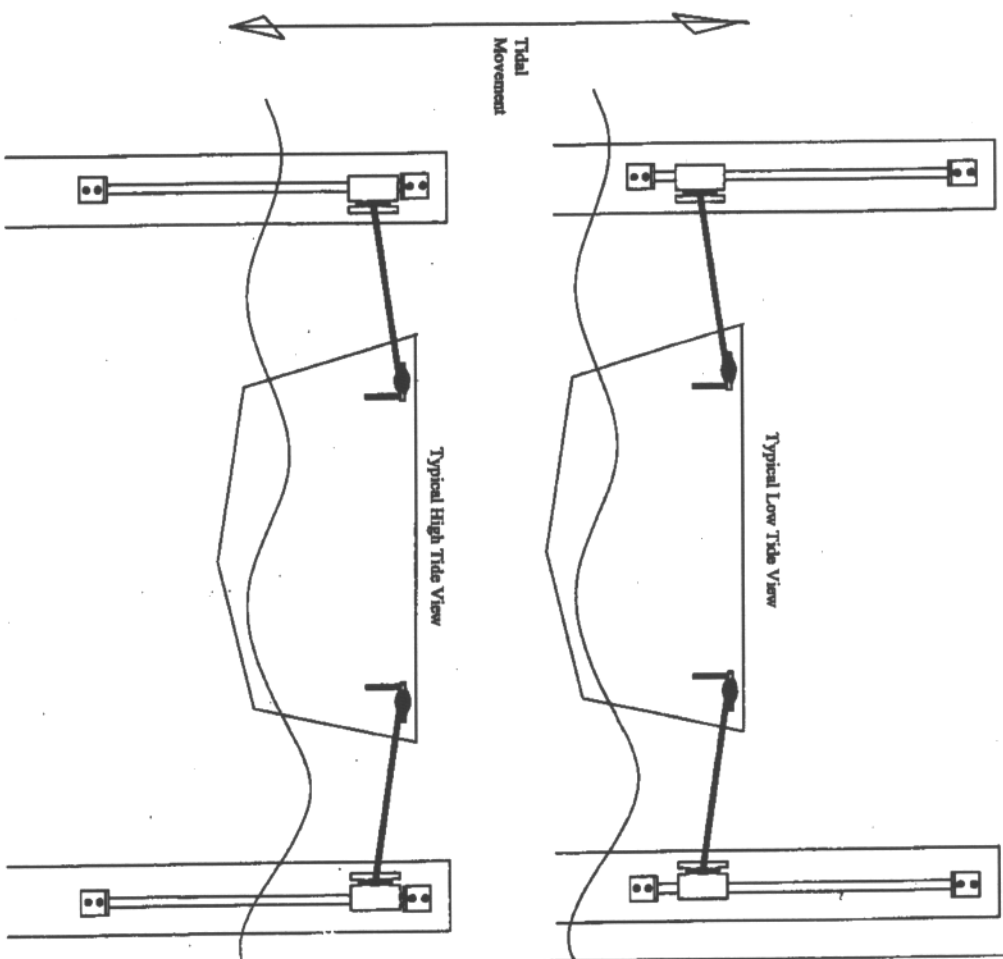
Position of the boat in the slip is arranged by simply lengthening or shortening the lines from side to side and front to back. Shown right is a typical tie up for a one side tie up. Position and line lengths will change depending on your specific piling position and docking arrangement.

It is recommended that a quality piling fender be used in conjunction with the TideSlides for side tie applications. Contact TideSlide for info on fenders if needed.

When using TideSlides on a one sided tie you should leave no more than 1-2 inches between the boat and the fenders. The closer the better and all lines should be TIGHT.

The diagram to the right shows using 4 separate lines, one from each tie point. Using 2 TideSlides. TideSlides can be located at midship and stern not just as shown. Depending on ease of use.

Keep in mind, that TideSlides are mounted on the side of the piling, out of the way.



TideSlides feature a 3 year 100% Warranty against workmanship and defects. TideSlide is not liable for improper mounting, positioning, use, acts of war, criminal activity, or extreme acts of nature.